



Zi:RAK ART NO. TA2420

Zi:RAK with Quick-Mount ART NO. TA2424-DE



PLEASE READ THE USER'S GUIDE BEFORE FIRST USE

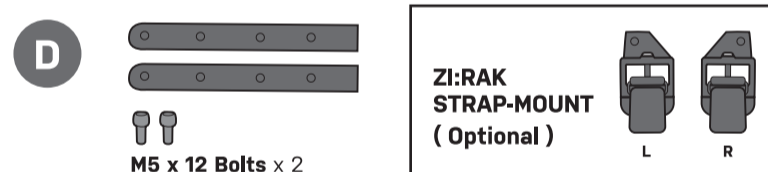
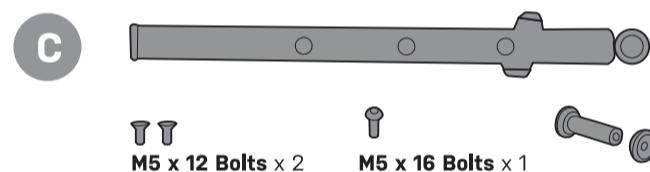
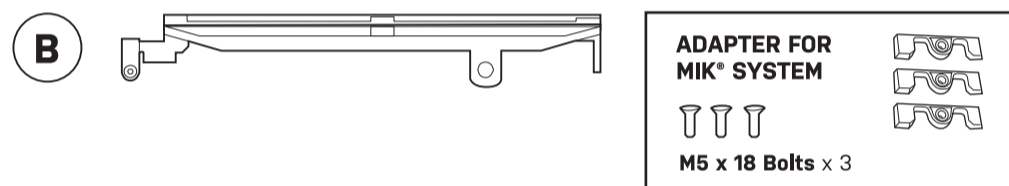
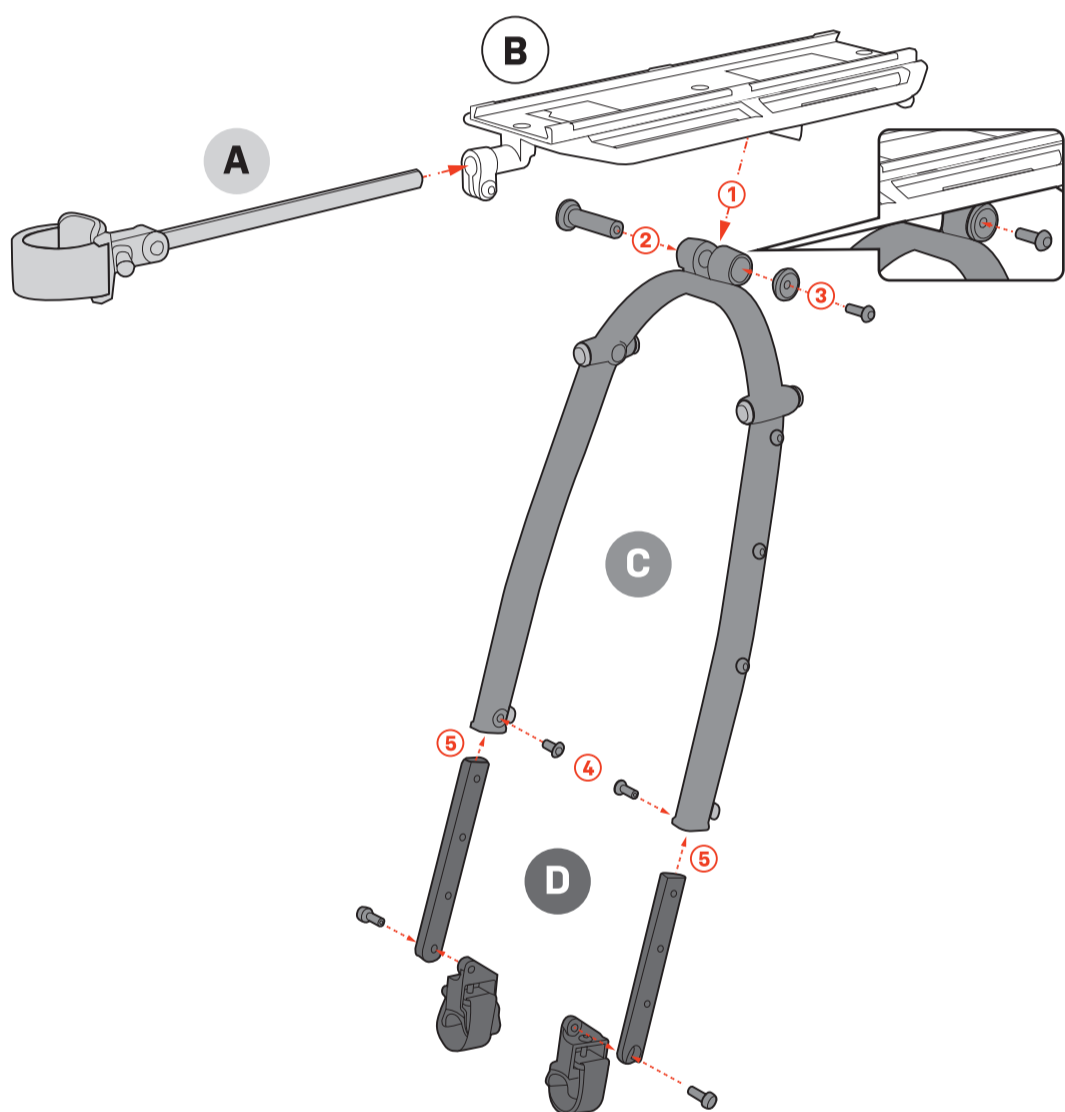
- 1 DUAL-SIDE PANNEL
- 2 BRACKET ARMS
- 3 SEATPOST MOUNT
- 4 BOLT-ON RACK LEGS
- 5 PANNIER BARS
- 6 EYELET MOUNT or THRU-AXLE MOUNT
- 7 STRAP MOUNT

MAX LOAD : 22 KG
 TOP : 12 KG
 BOLT-ON RACK LEG EACH SIDE : 5 KG

(Not compatible with full-suspension bikes)

INSTALLATION

MONTAGE / INSTALLATION / INSTALACIÓN / MONTAGGIO / MONTAŻ / 取付方法 / 장착방법 / 安裝方式 / 安裝方式

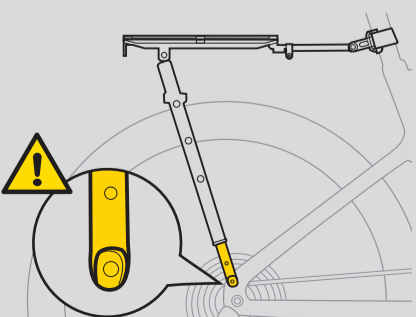
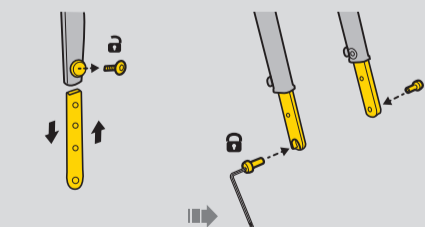


STEP 1 - CHOOSE MOUNTING LOCATION FRAME EYELETS / THRU-AXLE / SEATSTAYS

EYELETS MOUNT

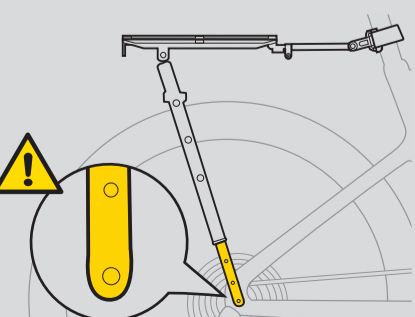
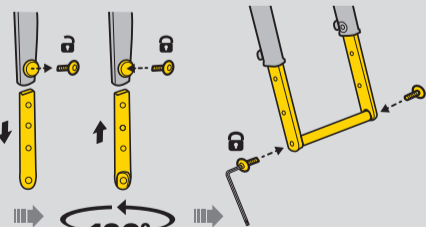
3 mm Hex Key
Max 2.5 Nm
M5 x 12 Bolts x 2

4 mm Hex Key
Max 3 Nm
M5 x 12 Bolts x 2



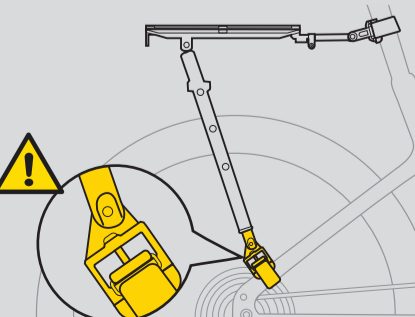
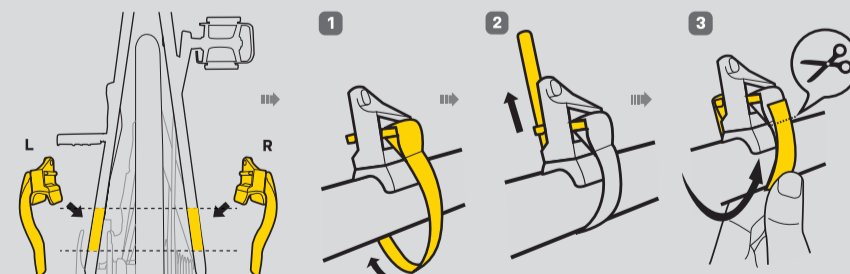
THRU-AXLE MOUNT by Zi:RAK THRU-AXLE

3 mm Hex Key
Max 2.5 Nm
M5 x 12 Bolts x 2



SEATSTAYS MOUNT

It is not recommended to mount on carbon frames.



Adjust the strap tensioner hook to the lowest position with 3mm Hex key.

Haken der Gurtstraffer mittels 3 mm Innensechskant-Schlüssel auf die niedrigste Position schrauben.
 ajuster le crochet du tendeur de sangle à l'aide d'une clé Allen de 3mm vers la position basse
 Stringi il gancio del tendicinghia con la chiave a brugola 3mm.
 Ustaw hak napięcia w najniższej pozycji za pomocą imbusa 3 mm.
 3mm六角レンチを使用して、ストラップテンショナーを最低位置まで移動させます。
 3 mm 육각렌치를 이용하여 스트랩 장력 조절 후크를 가장 낮은 위치로 조정하십시오.
 使用3mm六角板手調整至最低

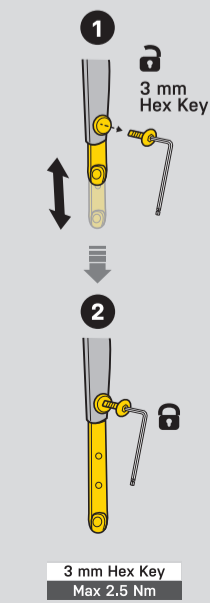
VERY IMPORTANT TIGHTEN ALL BOLTS AFTER INSTALLATION IS COMPLETE.

Use 4 mm Hex key to tighten mounting base.

Montagebasis mittels 4 mm Innensechskant-Schlüssel final anziehen.
 à l'aide d'une clé Allen de 4 mm para apretar base de montaje.
 Usa la chiave a brugola 4mm per fissare la base di montaggio, serrare in modo leggero.
 Dokrećci imbusem 4 mm podstawę montażową 4mm 육각 렌치를 이용하여 미운정 메이스를 꼭지 눌러주세요.
 4mm六角レンチで締め付けます。
 使用4mm六角板手調整至最低

LENGTH ADJUSTMENT

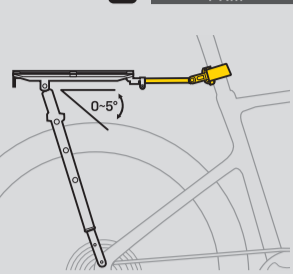
Längeneinstellung
 Régula de la longueur
 Regulacja długości
 길이 조절 기능
 Ajuste de longitud
 Regolazione della lunghezza
 長度調整延伸



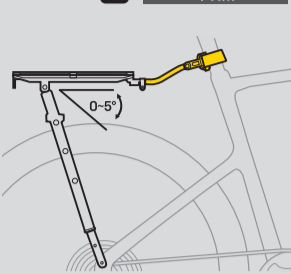
STEP 2 - ATTACH TO SEATPOST

CHOOSE THE BRACKET ARM TYPE TO FITS YOUR BIKE

E-TYPE 3 mm Hex Key
4 Nm

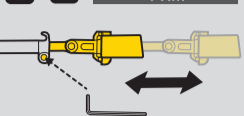


A-TYPE 3 mm Hex Key
4 Nm



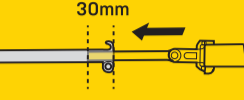
LENGTH ADJUSTMENT

3 mm Hex Key
4 Nm



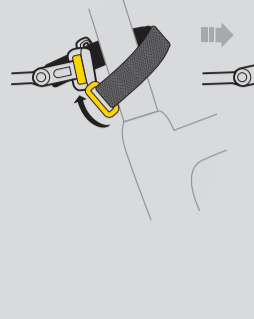
Winkelverstelling / Réglage de l'angle / Regulacja kąta / Ajuste de ángulo / Regolazione angolare

MIN INSERT
30mm



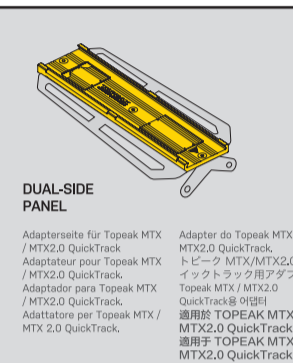
QUICK RELEASE CLAMP

4 mm Hex Key
Max 3 Nm



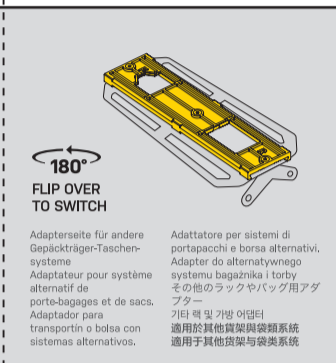
STEP 3 - SELECT QUICK-MOUNT RACK SYSTEM

ADAPTER FOR TOPEAK MTX 2.0 QUICKTRACK®



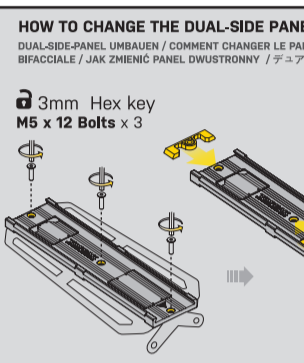
Compatible with Topeak MTX 2.0 TrunkBags / Baskets / MIK® / Racktime® SNAPIT 2.0 systems

ADAPTER FOR ALTERNATIVE RACK & BAG SYSTEM



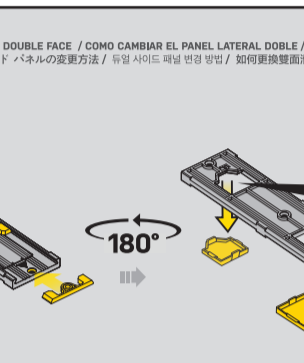
Kompatibel mit Topeak MTX 2.0 TrunkBags / Körben und MIK® / Racktime® SNAPIT 2.0-Systemen.

COMPATIBLE WITH MIK® SYSTEM



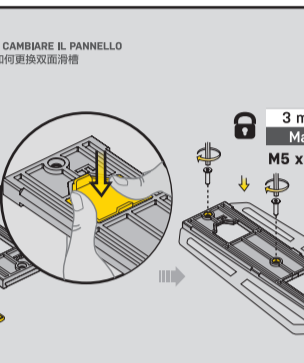
Compatible with les sacoches / paniers Topeak MTX 2.0 et les systèmes MIK® / Racktime® SNAPIT 2.0.

HOW TO CHANGE THE DUAL-SIDE PANEL



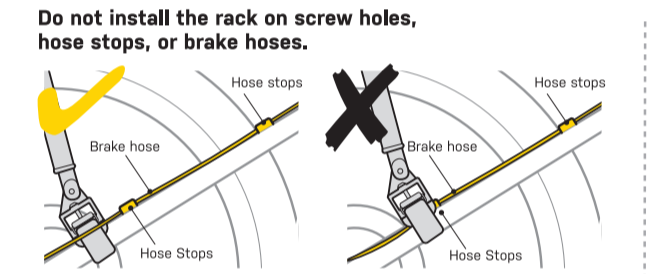
Compatible with las alforjas / cestas Topeak MTX 2.0 y los sistemas MIK® / Racktime® SNAPIT 2.0.

COMPATIBLE WITH RACKTIME® SNAPIT 2.0 SYSTEM

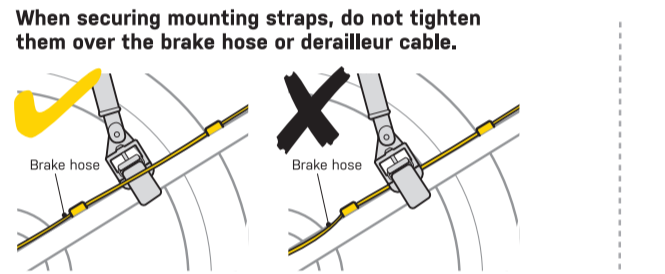


Compatible con borse / cestini Topeak MTX 2.0 e sistemi MIK® / Racktime® SNAPIT 2.0.

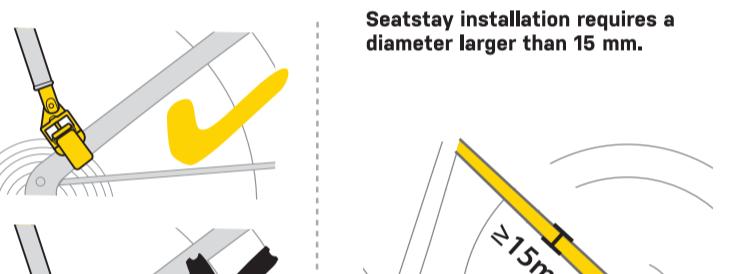
WARNING / ACHTUNG / AVERTISSEMENT / ADVERTENCIA / ATTENZIONE / UWAGA / 注意 / 경고 / 注意



Do not install the rack on screw holes, hose stops, or brake hoses. Montagebasen nicht auf Gewindebohrungen, Leitungsführungen und Bremsleitungen montieren. Do not install the portapacchi on the aguceros de las vainas, o encima de las guías o de los frenos. Non installare il portapacchi su alloggi per viti, fermo cavi, o cavi freno. Nie montuj bagażnika na otworach na śruby, ogranicznikach pancerzy lub pancerzach hamulcowych.



When securing mounting straps, do not tighten them over the brake hose or derailleur cable. Klattverschlüsse bei der Montage nicht über der Bremsleitung und dem Schaltzug schließen. Durante il fissaggio dei cinturini, non stringere accidentalmente attorno ai cavi freno o deragliatore. 스트랩을 고정할 때 브레이크 호스나 변속 케이블 위에 걸리지 않도록 하십시오. 固定束帶時，不要將束帶纏繞在車線或變速線上方。



Seatstay installation requires a diameter larger than 15 mm. Pulire l'area di montaggio del telaio prima dell'installazione. Non superare la capacità di carico massima (48,5 lb / 22 kg). Controllare il fissaggio dopo ogni uscita. In caso di movimenti eccessivi, interrompere immediatamente la corsa. Evitare guida estrema, come i salti, durante l'uso del portapacchi. Non utilizzare il portapacchi come sedile passeggero. Bilanciare sempre il carico. Non montare una sola borsa laterale. Non è consigliato montare il Zi:RAK Strap-Mount su telai in carbonio.

- Clean frame mounting area prior to installation.
- Never exceed maximum loading capacity (48.5 lb / 22 kg).
- Check after every ride for secure mounting. If there is any excessive movement during a ride, stop riding immediately.
- Do not engage in extreme riding, such as jumping, when using this product.
- Do not attempt to use as a passenger seat.
- Always balance the load. Do not install a pannier bag only on one side.
- It is not recommended to mount Zi:RAK on carbon frames.

OPTIONALES ZUBEHÖR / ACCES SOIRES EN OPTON / ACCESORIOS OPCIONALES / ACCESSORI OPZIONALI / オプション アクセサリー / 별도 구매 장착 가능 액세서리 / 另外購買 / 另外購買

Zi:RAK THRU-AXLE	M12 x P1.0	M12 x P1.5	M12 x P1.75	for SRAM® UDH	MTX 2.0 TRUNKBAG SERIES	PANNIER DRYBAG ART NO. T91860B	Zi:RAK STRAP-MOUNT ART NO. TA2420-SP05	RACK REDLITE 60 ART NO. TMS120
	Aluminum	Aluminum	Aluminum	Aluminum				
MATERIAL	Aluminum	Aluminum	Aluminum	Aluminum				
THREAD LENGTH	20mm	20mm	20mm	20mm				
THREAD PITCH	1.0	1.5	1.75	1.0				
AXLE LENGTH	170mm	170mm	170mm	170mm				
WEIGHT	50-60g	(The total weight varies depending on the number of spacers used.)						
ART NO.	TA2420-SP01	TA2420-SP02	TA2420-SP03	TA2420-SP04				

Zi:RAK rack-specific thru-axle for 700 x 55C road & gravel bikes

WARRANTY / GEWÄHRLEISTUNG / GARANTIE / GARANTÍA / GARANZIA

2-year Warranty: All mechanical components against manufacturer defects only.

Warranty Claim Requirements
To obtain warranty service, you must have your original sales receipt. Items returned without a sales receipt will assume that the warranty begins on the date of manufacture. All warranties will be void if the product is damaged due to user crash, abuse, system alteration, modification, or used in any way not intended as described in this manual.

* The specifications and design are subject to change without notice.
Please contact your Topeak dealer with any questions. For USA customer service, call: 1-800-250-3068 www.topeak.com

Garantiebedingungen
2 Jahre Gewährleistung auf alle verbauten Teile, jedoch nur gegen Herstellermängel.
Garantiekostenanspruch
Um die Gewährleistung in Anspruch nehmen zu können, ist der Originalauftrag notwendig.
Requisitos para la reclamación de garantía
Para obtener el servicio de garantía, debes ser el propietario original y proporcionar un comprobante de compra.
Condizioni di garanzia
Per usufruire della garanzia è necessario essere il primo proprietario dell'articolo e fornire lo scontrino originale di acquisto.
Garantía de garantía
Garantía de 2 años únicamente para productos con defectos de fabricación.
Garanzia
2 anni di garanzia solo per difetti di produzione.

GAWARANCJA / 保証期間 / 품질보증 / 產品保固 / 产品保固

2 lata gwarancji. Na wady fabryczne.
Warranty claim requirements: To obtain warranty service, you must have your original sales receipt. Items returned without a sales receipt will assume that the warranty begins on the date of manufacture. All warranties will be void if the product is damaged due to user crash, abuse, system alteration, modification, or used in any way not intended as described in this manual.
* The specifications and design are subject to change without notice.
Please contact your Topeak dealer with any questions. For USA customer service, call: 1-800-250-3068 www.topeak.com