

# TAM 1, 2, & XR TECHNICAL MANUAL

---



# TAM 1, 2, & XR TECHNICAL MANUAL

---

## CONTENTS

- 1 IMPORTANT INFO
- 2 TECHNICAL FRAME DATA
- 3 TECHNICAL FRAME DATA CONT.
- 4 TECHNICAL FRAME DATA CONT.
- 5 EXPLODED FRAME DIAGRAM
- 6 SERVICE PARTS LIST
- 7 WATER BOTTLE & TOOL STORAGE DIAGRAMS
- 8 CABLE ROUTING DIAGRAM



# TAM 1, 2, & XR TECHNICAL MANUAL

---

## IMPORTANT INFORMATION

This document is intended to supplement the complete owner's manual. This document contains an overview of frame diagrams, specifications, and adjustment instructions. This document is **NOT** a complete owner's manual and does not include important safety and installation information. You must refer to the complete owner's manual. If needed, get help from your official Marin dealer with assembly, use, service, and maintenance. Visit [marinbikes.com/support](http://marinbikes.com/support) for more information.

Failure to follow proper assembly instructions, hazard warnings, and compatible part recommendations may result in loss of control while riding and can lead to serious injury and/or death. We recommend having your bike assembled, adjusted, and serviced by a trained, and authorized Marin Bikes dealer, or a professional and certified bicycle mechanic. This manual is not intended to replace the assembly and service instructions provided by third-party component manufacturers.



# TAM 1, 2, & XR TECHNICAL MANUAL

## Technical Frame Data

Fast and fun, the TAM is your lightweight rocket ship – built for everyday rides, epic missions, and heart-pumping action. **LONG LIVE LONG RIDES.**

### AXLE TO CROWN

OE Spec	531 mm
Max (+10 from OE)	541 mm
Dual Crown Compatible	Not Compatible

### HEAD TUBE DIMENSIONS

Upper	ZS44
Lower	ZS56

### HEADSET SPEC & DIMENSIONS

Model	FSA No. 57		
Upper Bearing	MR040	Upper 45°	Lower 36°
Lower Bearing	MR019	Upper 45°	Lower 36°

# TAM 1, 2, & XR TECHNICAL MANUAL

---

## SEAT TUBE COLLAR DIAMETER (OD)

34.9 MM

## SEAT TUBE INNER DIAMETER

30.9 MM

## SEAT TUBE REAM DEPTH

SMALL	270 MM
MEDIUM	280 MM
LARGE	320 MM
X-LARGE	370 MM

## CHAINLINE

55 - 56 MM

## REAR BRAKE MOUNT

PM 180

## MAX ROTOR SIZE

200 MM

# TAM 1, 2, & XR TECHNICAL MANUAL

## REAR THRU AXLE

FRAME REAR AXLE SIZE	BOOST • 12 X 148 MM
REAR AXLE SPECS	TAPERED HEAD • 174 MM • M12 x 1.0 TP

## MAX TIRE SIZE CLEARANCE

FRONT	29 x 2.4"
REAR	29 x 2.4"

## SHOCK INFO

EYE TO EYE	195 MM
STROKE	45 MM

## SHOCK HARDWARE

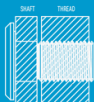
UPPER MOUNT	M30 X M8
LOWER MOUNT	M30 X M8

## BEARING SPECS

BEARING ID #	OD x ID x W	QUANTITY
6800 2RS	19 x 10 x 5 MM	4
3802 2RS	15 x 24 x 7 MM	2

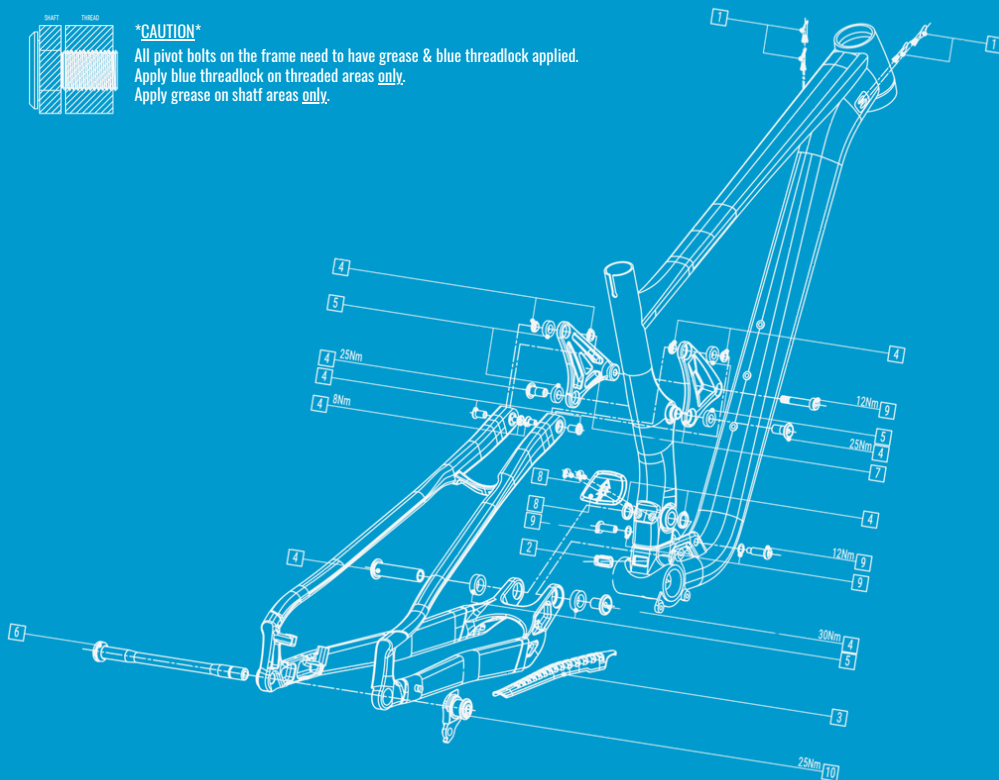
# TAM 1, 2, & XR TECHNICAL MANUAL

## EXPLODED FRAME DIAGRAM



### \*CAUTION\*

All pivot bolts on the frame need to have grease & blue threadlock applied.  
Apply blue threadlock on threaded areas only.  
Apply grease on shaft areas only.



# TAM 1, 2, & XR TECHNICAL MANUAL

---

## SERVICE PARTS LIST

ITEM NUMBER	ARTICLE CODE	DESCRIPTION
1	736334	Rubber Plug Kit
2	741986	TAM Grommet Kit
3	741985	CS Protector Marin TAM
4	741983	Pivot Bolt Kit L
5	741984	Bearing Kit H
6	736031	Bolt On Axle Kit
7	741982	Rocker Link Kit Marin TAM
8	738406	CS Yoke Bolt On Flap & Bolts
9	736034	Shock Bolt Kit H
10	00.7918.093.000	SRAM UDH

All Marin service parts for TAM series 1, 2, and XR can be found on the Marin Bikes web store at: [marinbikes.com/collections/parts](http://marinbikes.com/collections/parts)

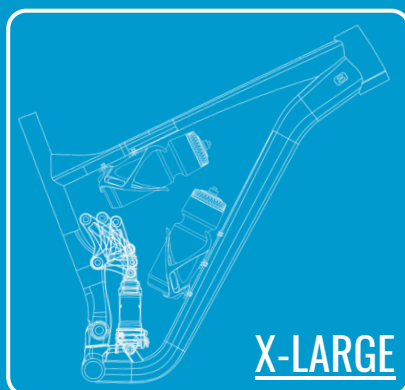
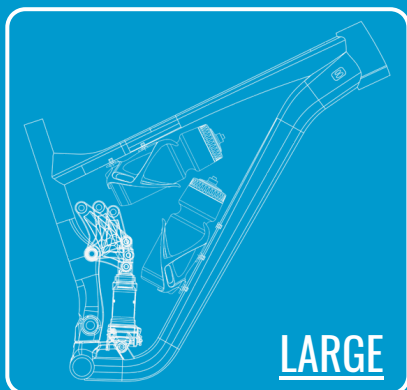
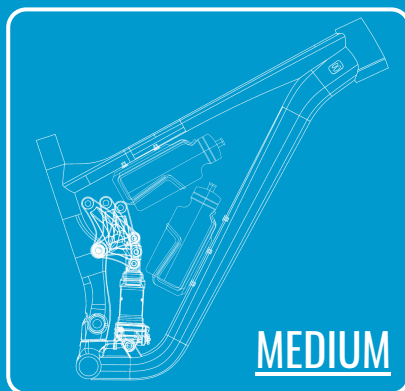
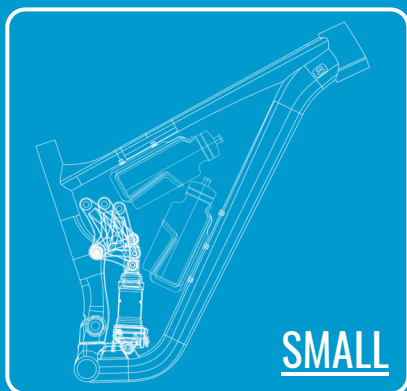


# TAM 1, 2, & XR TECHNICAL MANUAL

---

## WATER BOTTLE & TOOL STORAGE

The TAM is built for epic rides. Each size can carry two water bottles inside the front triangle. To fit two water bottles the shock needs to be rotated top-to-bottom by 180 degrees to prevent it from contacting the water bottle during compression. If you only want to run one bottle either mount can be used for tools or other accessories.



# TAM 1, 2, & XR TECHNICAL MANUAL

## CABLE ROUTING DIAGRAM

